

2021

Green Tree ES



Miracle Playground Sales

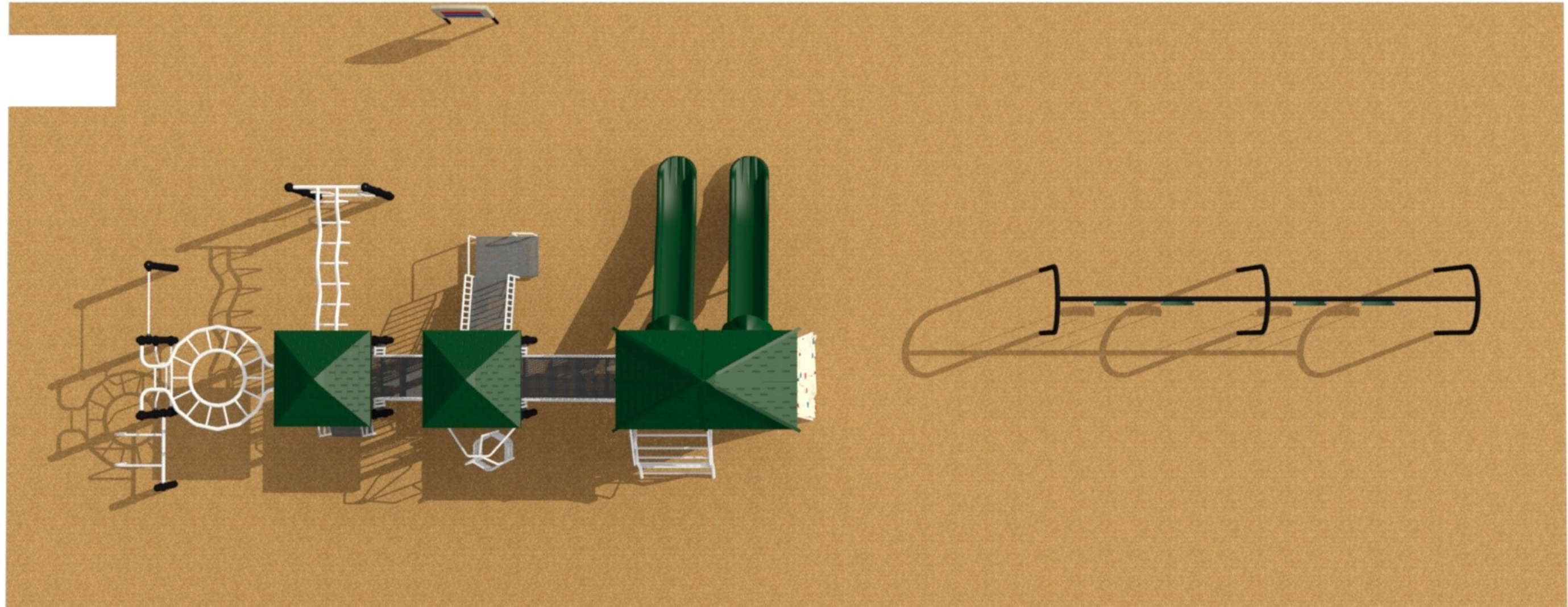
9106 Pulsar Ct.

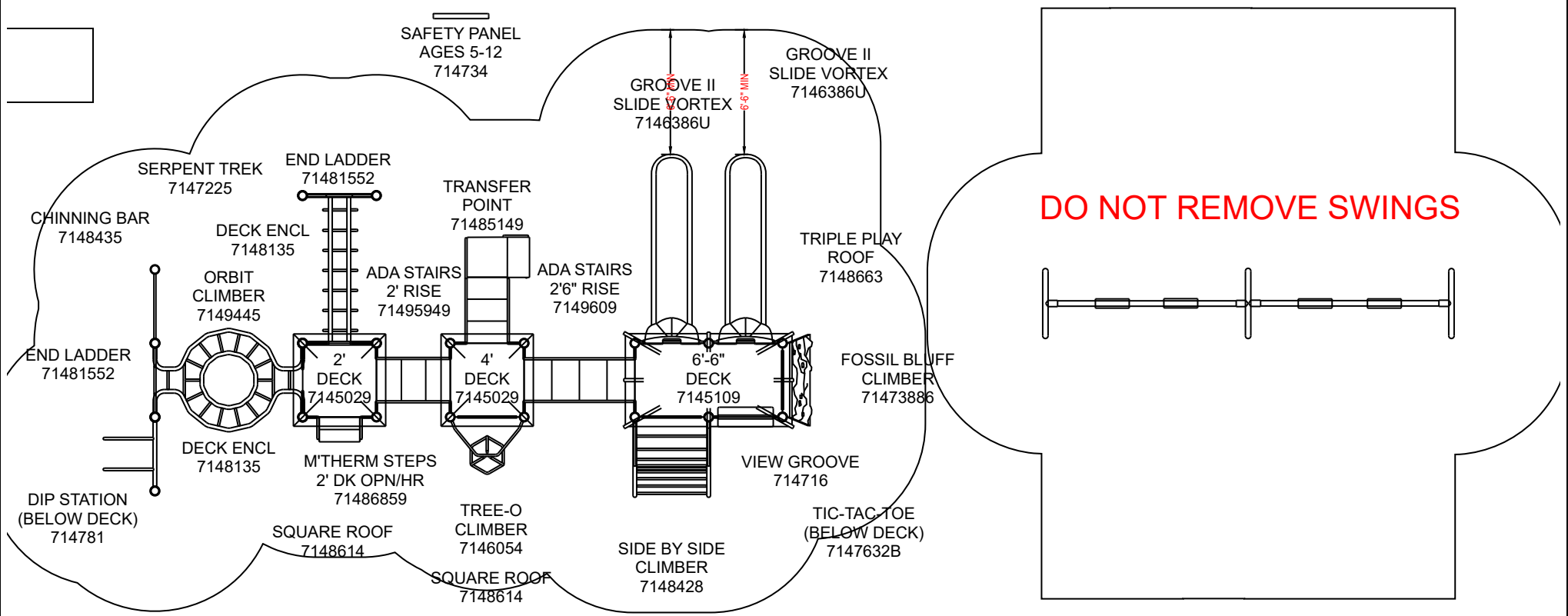
Suite C

Corona CA, 92883

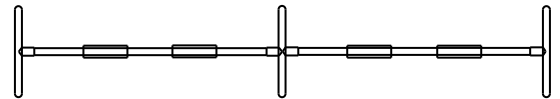








DO NOT REMOVE SWINGS



MIRACLE PLAYGROUND SALES, INC.
9106 Pulsar Ct, Suite C
Corona, CA
PHONE NO: (800) 264-7225
FAX NO: (877) 215-3869
GROUND SPACE: 73'-6" x 26'-6"
PROTECTIVE AREA: 86'-0" x 33'-0"
DRAWN BY: Robert Fryhoff
DATE: 6/28/2017

R0036_42914638523

<input checked="" type="checkbox"/>	COMPLIES TO ASTM/CPSC

To promote safe and proper equipment use by children, Miracle recommends the installation of either a Miracle safety sign or other appropriate safety signage near each playsystem's main entry point(s) to inform parents and supervisors of the age appropriateness of the playsystem and general rules for safe play.

THE PLAY COMPONENTS IDENTIFIED IN THIS PLAN ARE IPEMA CERTIFIED. THE USE AND LAYOUT OF THESE COMPONENTS CONFORM TO THE REQUIREMENTS OF ASTM F1487.

AN ENERGY ABSORBING PROTECTIVE SURFACE IS REQUIRED UNDER & AROUND ALL PLAY SYSTEMS